

2-way Coaxial Speaker ICx 402

4"/100mm | 180 Watt Max.Power



Sales start

November 2015

Order number

1 061 556 115 001

EAN code

4260 275 272 793

Highlights

- 2-way coaxial speaker
- 100 mm / 4" diameter
- Tweeter with Neodymium magnet
- 180 Watt maximum power handling
- 25 Watt nominal power handling
- Injected PP membrane
- Foam surround
- Kapton voice coils for tweeter and woofer
- Magnet with EXP design causing less distortion
- Installation depth 43 mm / 1.71"
- Design grille with metal mesh
- Ceiling mounting is possible
- Accessories: including design grille, cables, mounting hardware and installation instructions
- Perfect price/performance ratio
- New design

DISTRIBUTED BY:

BLAUPUNKT TECHNOLOGY GMBH, ROBERT-BOSCH-STRASSE 200, 31139 HILDESHEIM, GERMANY | SALES-BPE@BLAUPUNKT.COM

2-way Coaxial Speaker ICx 402

4"/100mm | 180 Watt Max.Power

Technical data

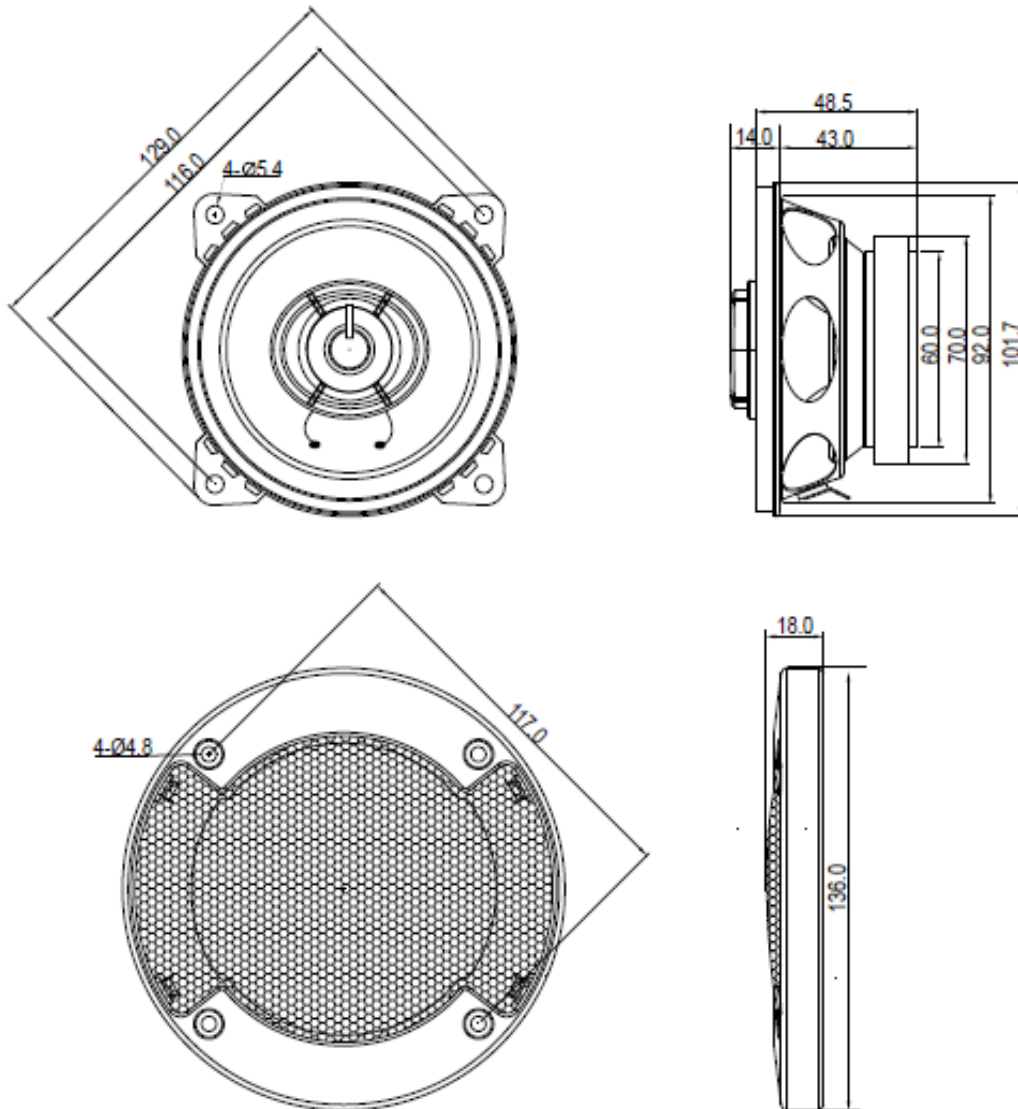
Product	ICx 402																						
System	2-Way Coaxial																						
Diameter	100mm / 4.0"																						
Maximum power handling	180 watts																						
Nominal power handling	25 watts																						
Nominal impedance	4 ohms																						
Frequency response	80 – 20.000 Hz																						
Efficiency (2,83 V/1 m)	90 dB																						
Woofers	<table border="0"> <tr> <td>Concept</td> <td>Single cone</td> </tr> <tr> <td>Cone material</td> <td>Injected Polypropylen (IPP)</td> </tr> <tr> <td>Cone color</td> <td>blue</td> </tr> <tr> <td>Surround material/color</td> <td>Rubber / black</td> </tr> <tr> <td>Voice coil diameter/material</td> <td>25mm / 1" / Aluminum</td> </tr> <tr> <td>Voice coil layers</td> <td>2</td> </tr> <tr> <td>Basket material/color</td> <td>Steel / black</td> </tr> <tr> <td>Magnet material</td> <td>Ferrite</td> </tr> <tr> <td>Magnet size</td> <td>70 x 32 x 10mm</td> </tr> <tr> <td>Magnet cover material/color</td> <td>-</td> </tr> <tr> <td>Connectors</td> <td>2,8/5,2 mm</td> </tr> </table>	Concept	Single cone	Cone material	Injected Polypropylen (IPP)	Cone color	blue	Surround material/color	Rubber / black	Voice coil diameter/material	25mm / 1" / Aluminum	Voice coil layers	2	Basket material/color	Steel / black	Magnet material	Ferrite	Magnet size	70 x 32 x 10mm	Magnet cover material/color	-	Connectors	2,8/5,2 mm
Concept	Single cone																						
Cone material	Injected Polypropylen (IPP)																						
Cone color	blue																						
Surround material/color	Rubber / black																						
Voice coil diameter/material	25mm / 1" / Aluminum																						
Voice coil layers	2																						
Basket material/color	Steel / black																						
Magnet material	Ferrite																						
Magnet size	70 x 32 x 10mm																						
Magnet cover material/color	-																						
Connectors	2,8/5,2 mm																						
Midrange	<table border="0"> <tr> <td>Concept</td> <td>-</td> </tr> <tr> <td>Diameter</td> <td>-</td> </tr> <tr> <td>Cone material</td> <td>-</td> </tr> <tr> <td>Voice coil diameter/material</td> <td>-</td> </tr> <tr> <td>Voice coil layers</td> <td>-</td> </tr> <tr> <td>Magnet material</td> <td>-</td> </tr> <tr> <td>Magnet size</td> <td>-</td> </tr> </table>	Concept	-	Diameter	-	Cone material	-	Voice coil diameter/material	-	Voice coil layers	-	Magnet material	-	Magnet size	-								
Concept	-																						
Diameter	-																						
Cone material	-																						
Voice coil diameter/material	-																						
Voice coil layers	-																						
Magnet material	-																						
Magnet size	-																						
Tweeter	<table border="0"> <tr> <td>Concept</td> <td>Dome tweeter</td> </tr> <tr> <td>Diameter</td> <td>13mm / 0.5"</td> </tr> <tr> <td>Cone material</td> <td>Mylar</td> </tr> <tr> <td>Voice coil diameter/material</td> <td>13mm / 0.5" / Aluminum</td> </tr> <tr> <td>Voice coil layers</td> <td>2</td> </tr> <tr> <td>Magnet material</td> <td>Neodymium</td> </tr> <tr> <td>Magnet size</td> <td>12,5 x 2mm</td> </tr> </table>	Concept	Dome tweeter	Diameter	13mm / 0.5"	Cone material	Mylar	Voice coil diameter/material	13mm / 0.5" / Aluminum	Voice coil layers	2	Magnet material	Neodymium	Magnet size	12,5 x 2mm								
Concept	Dome tweeter																						
Diameter	13mm / 0.5"																						
Cone material	Mylar																						
Voice coil diameter/material	13mm / 0.5" / Aluminum																						
Voice coil layers	2																						
Magnet material	Neodymium																						
Magnet size	12,5 x 2mm																						
Speaker cover	<table border="0"> <tr> <td>Cover material/color</td> <td>ABS / silver</td> </tr> <tr> <td>Grille material/color</td> <td>Metal / black</td> </tr> </table>	Cover material/color	ABS / silver	Grille material/color	Metal / black																		
Cover material/color	ABS / silver																						
Grille material/color	Metal / black																						
Installation depth	43 mm / 1.71"																						
Diameter installation hole	94 mm / 3.70"																						
Weight (single speaker without cover)	0,43 kg																						
Delivery content	2x Speakers 2x Design grilles 2x Speaker cables 8x Fixation screws 8x Pirate nuts User manual Cutting template																						
Packing concept	4-color gift box																						
No. of products in packing	1 pair / 2 pcs																						



2-way Coaxial Speaker ICx 402

4"/100mm | 180 Watt Max.Power

Technical data



2-way Coaxial Speaker ICx 402

4"/100mm | 180 Watt Max.Power

Logistic data

Pieces / Master Carton:	12 pcs
20ft. Container:	__ . __ pcs
40ft. Container:	__ . __ pcs
40ft.HQ Container:	__ . __ pcs
Dimensions Product:	136 x 136 x 61 mm
Dimensions Gift Box:	288 x 173 x 70 mm
Dimensions Master Carton:	__ x __ x __ mm
Weight Product (net):	x,xx kg
Weight Product (brut):	x,xx kg
Weight Master Carton (brut):	xx,xx kg